

# Cam-Lok® Standard Series



All Cam-Lok part numbers available in convenient, single-use, color-coded packaging.

MALE					
	COLOR	CABLE SIZE	COMPLETE PART NO.	CONTACT ONLY PART NO.	INSULATOR ONLY PART NO.
CRIMP	BLACK	350MCM	E1019-1	A200028-1	A200058-1
	RED		E1019-3		A200058-3
	GREEN		E1019-5		A200058-5
	WHITE		E1019-6		A200058-6
	BLUE		E1019-25		A200058-27
	BROWN		E1019-26		A200058-28
	ORANGE		E1019-4		A200058-4
	YELLOW		E1019-2		A200058-2



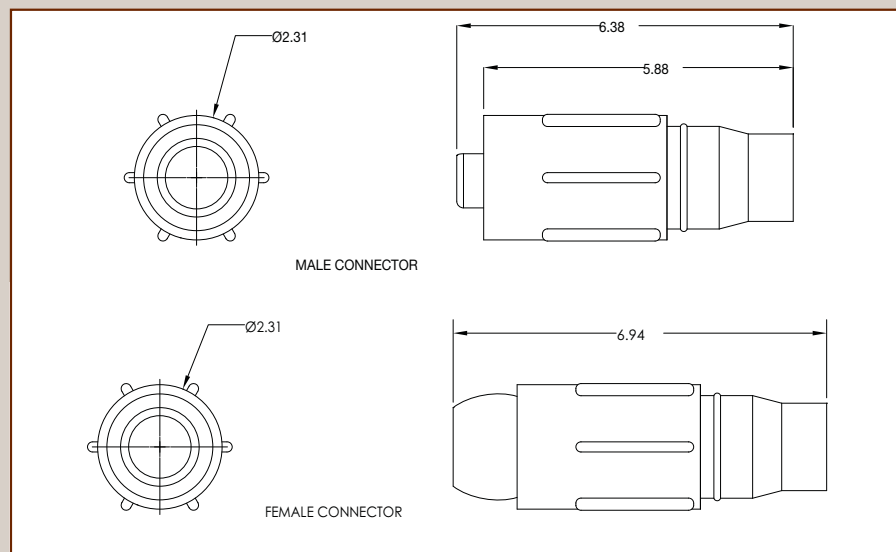
E1019-1

FEMALE					
	COLOR	CABLE SIZE	COMPLETE PART NO.	CONTACT ONLY PART NO.	INSULATOR ONLY PART NO.
CRIMP	BLACK	350MCM	E1019-50	A200027-1	A200057-1
	RED		E1019-52		A200057-3
	GREEN		E1019-54		A200057-5
	WHITE		E1019-55		A200057-6
	BLUE		E1019-74		A200057-13
	BROWN		E1019-75		A200057-14
	ORANGE		E1019-53		A200057-4
	YELLOW		E1019-51		A200057-2



E1019-50

E1019 Series



CAM-LOK STANDARD SERIES "BALL NOSE" DESIGN RECEPTACLES AND PLUGS HAVE BEEN USED FOR YEARS IN SHIPYARDS, CONSTRUCTION SITES AND POWER PLANTS. THEY HAVE BECOME THE STANDARD BY THE BROADCAST INDUSTRY IN CANADA, AS WELL AS THE WELDING INDUSTRY IN THE UNITED STATES.

**RATINGS: 600 VOLTS UP TO 445 AMPERES CONTINUOUS**

**STANDARD MATERIALS**  
**CABLE SIZE: 350 MCM**  
**CONNECTOR BODY: TPE**  
**CONTACT: BRASS**

**ENVIRONMENTAL RATING: NEMA 3R**